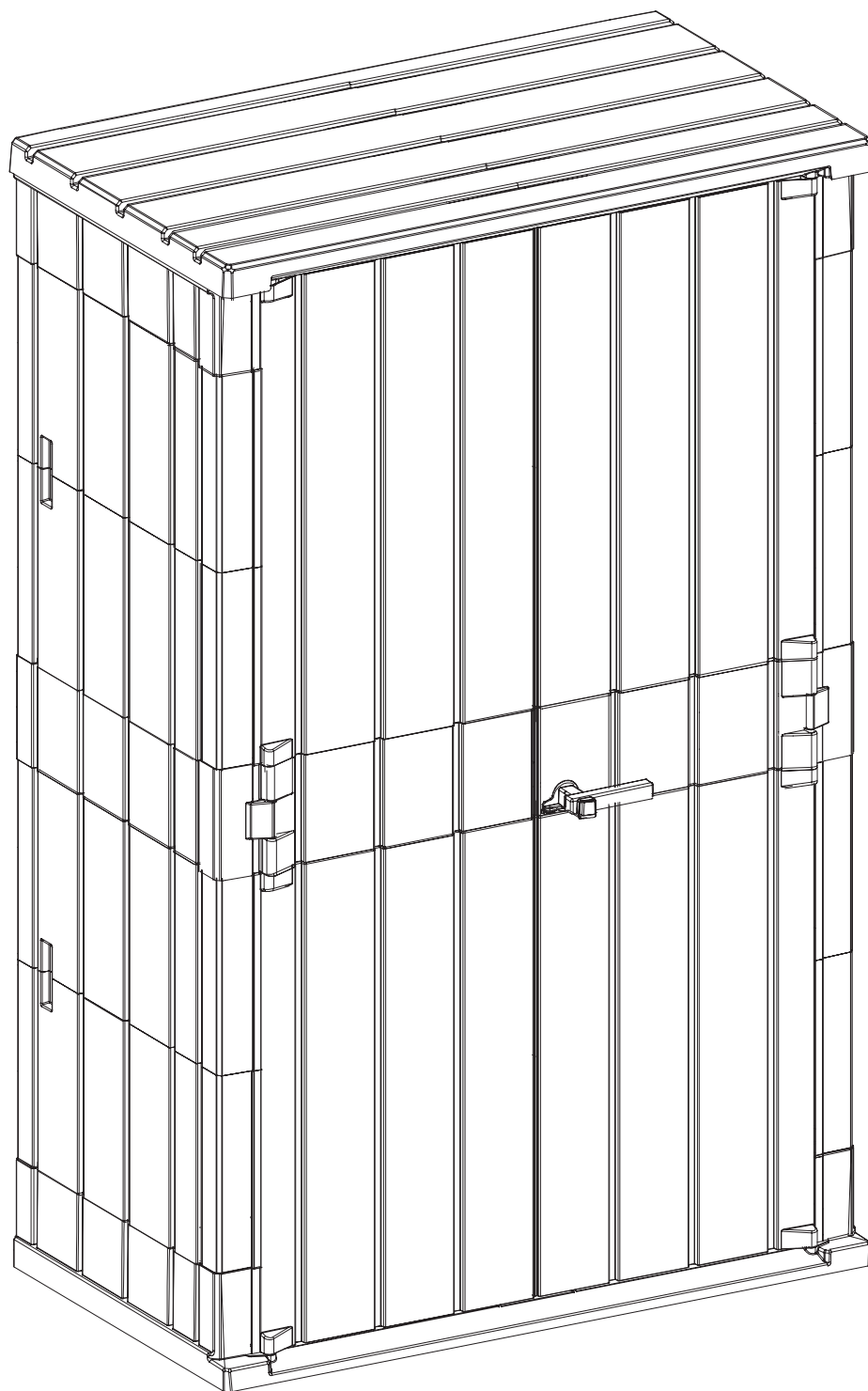


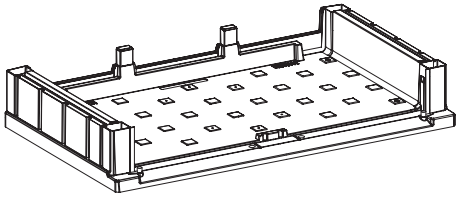
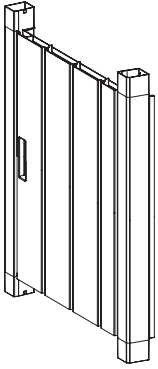
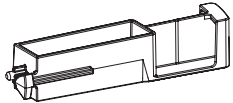
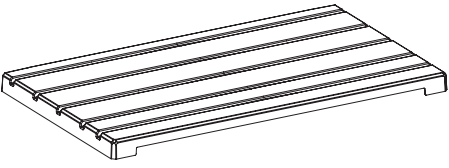
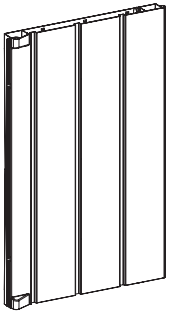
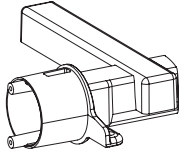

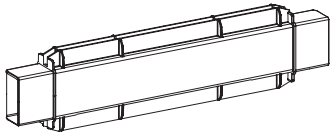
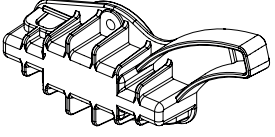


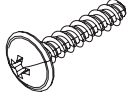
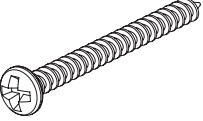
# TOOMAX<sup>®</sup>

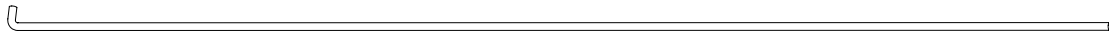
## HIGH STORA WAY



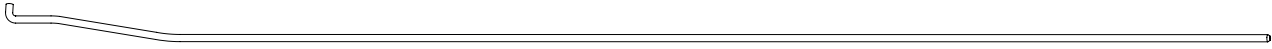
**Art. 091** cm 130x75,6x206,2h | in 51,2x29,8x81,2h

[www.toomax.it](http://www.toomax.it)

<p><b>A</b></p>  <p><b>PZ / PCS 2</b></p>	<p><b>B</b></p>  <p><b>PZ / PCS 4</b></p>	<p><b>N</b></p>  <p><b>PZ / PCS 1</b></p>
<p><b>A1</b></p>  <p><b>PZ / PCS 1</b></p>	<p><b>C</b></p>  <p><b>PZ / PCS 4</b></p>	<p><b>P</b></p>  <p><b>PZ / PCS 1</b></p>
<p><b>H</b></p>  <p><b>PZ / PCS 8</b></p>	<p><b>Y</b></p>  <p><b>PZ / PCS 1</b></p>	<p><b>Q</b></p>  <p><b>PZ / PCS 1</b></p>
<p><b>T</b></p>  <p><b>PZ / PCS 4</b></p>	<p><b>00</b></p>  <p><b>PZ / PCS 6</b></p>	<p><b>I</b></p>  <p><b>PZ / PCS 10</b></p>
	<p><b>Z</b></p>  <p><b>PZ / PCS 10</b></p>	

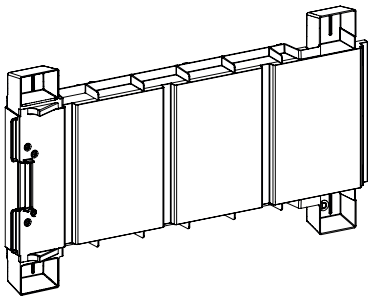


PZ / PCS 1



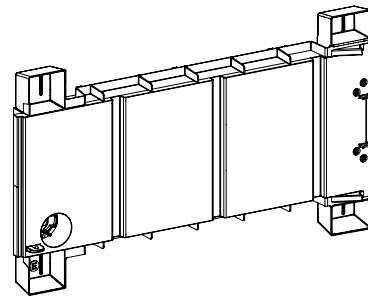
PZ / PCS 1

D



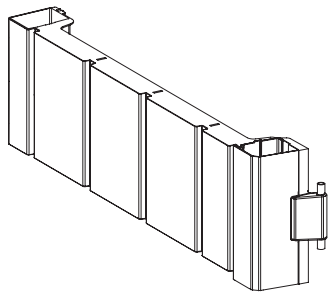
PZ / PCS 1

E



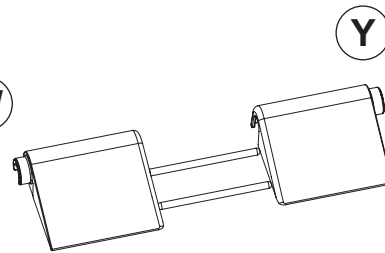
PZ / PCS 1

F



PZ / PCS 2

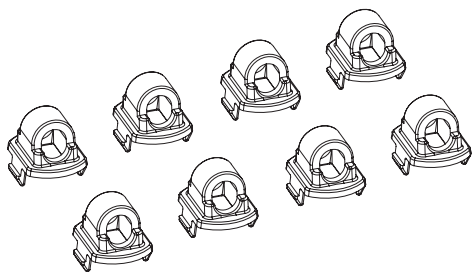
W



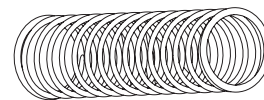
Y

PZ / PCS 2

V



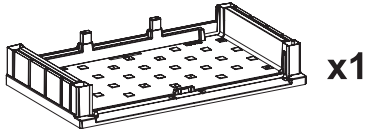
PZ / PCS 8



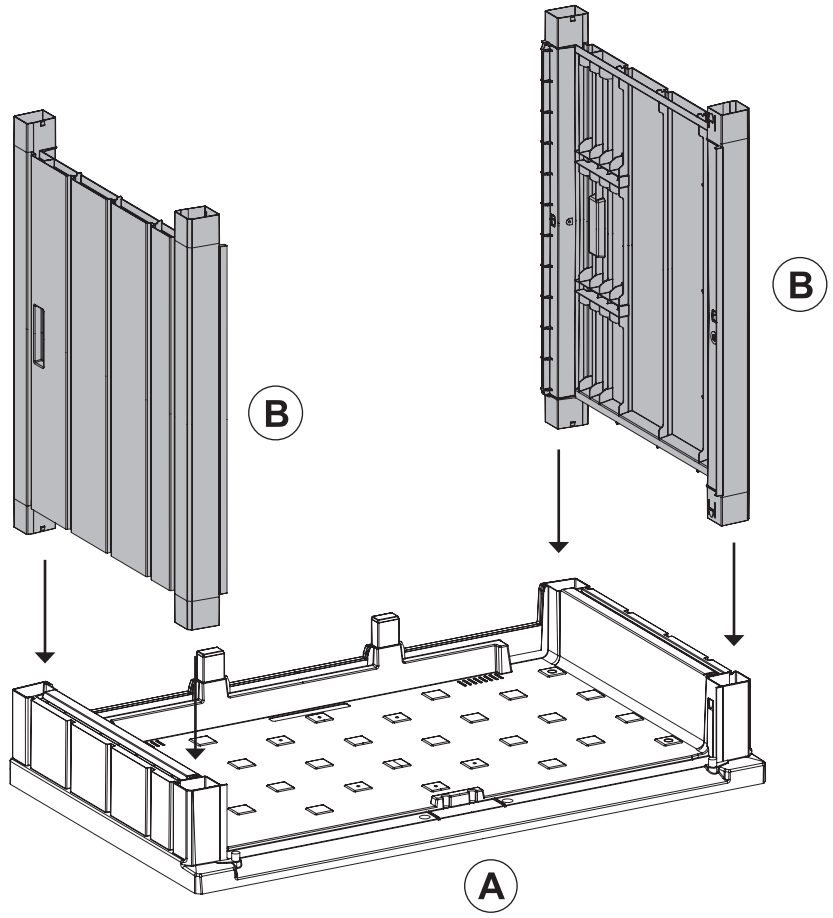
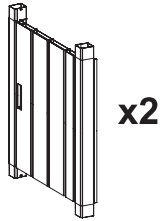
PZ / PCS 1

1

A

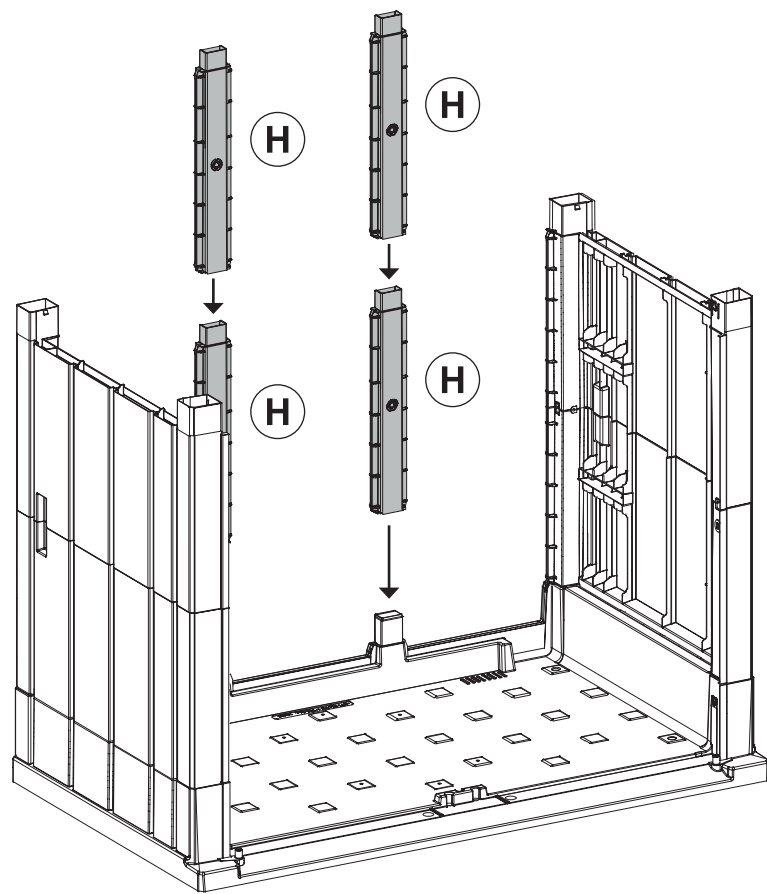
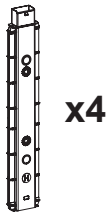


B



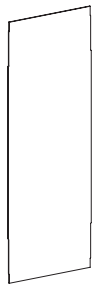
2

H

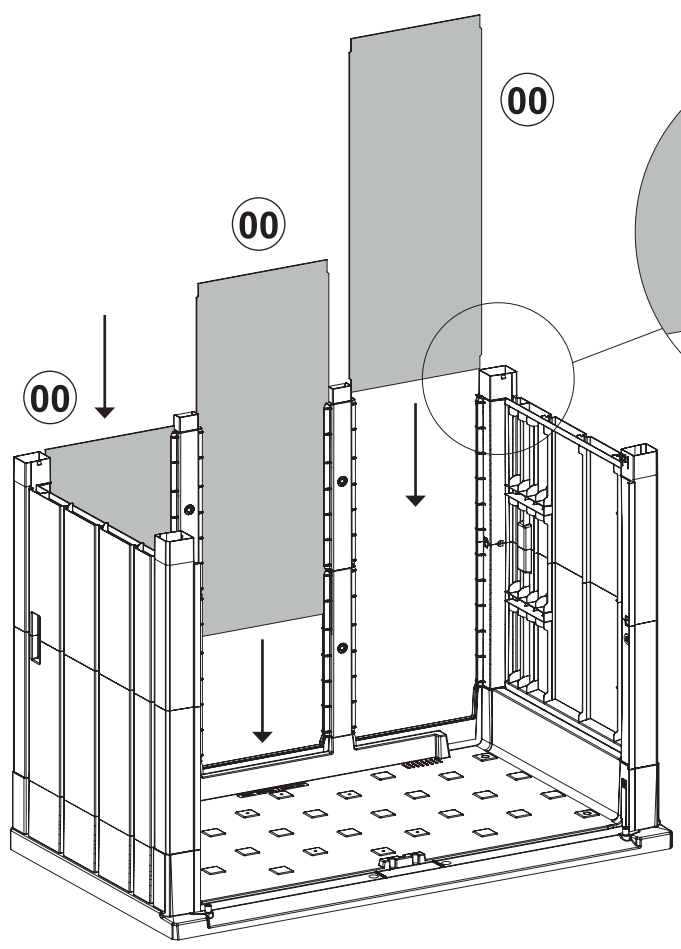


**3**

00

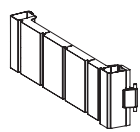


x3



**4**

F



x2

X

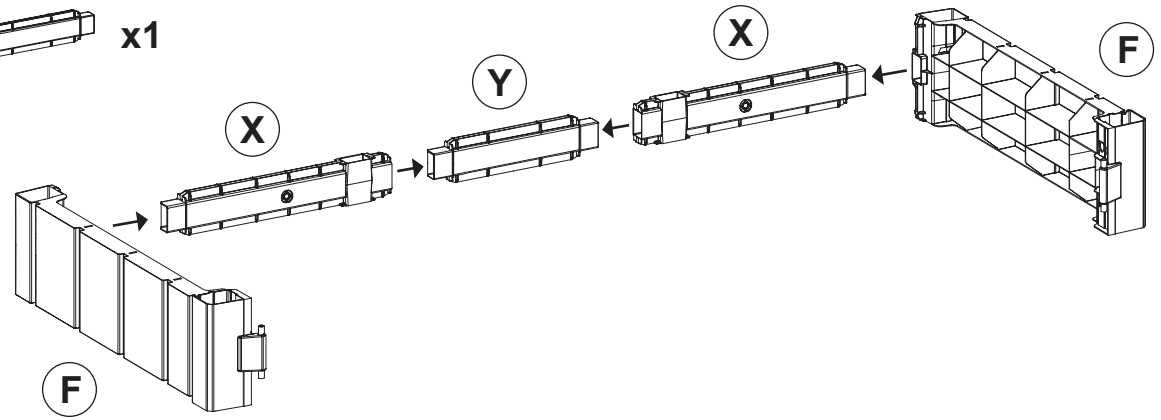


x2

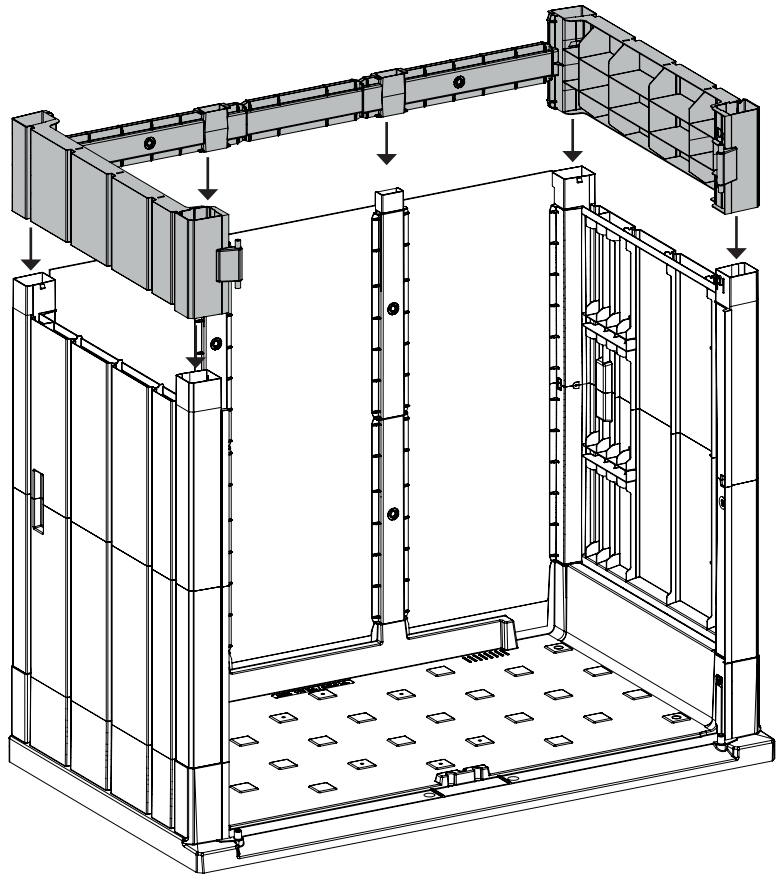
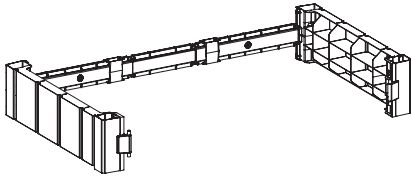
Y



x1



5



6

H



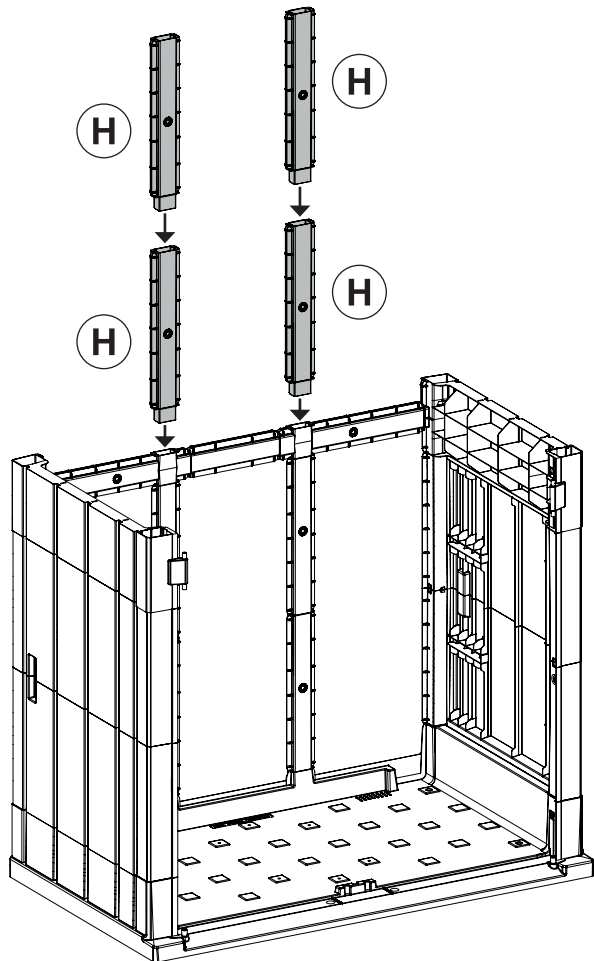
x4

H

H

H

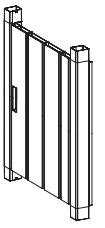
H



7

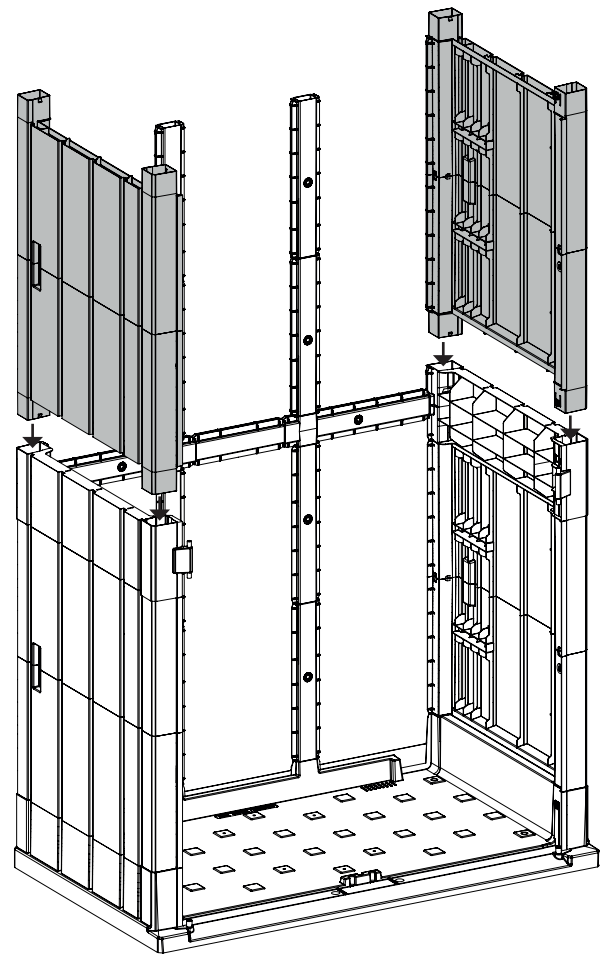
B

x2



B

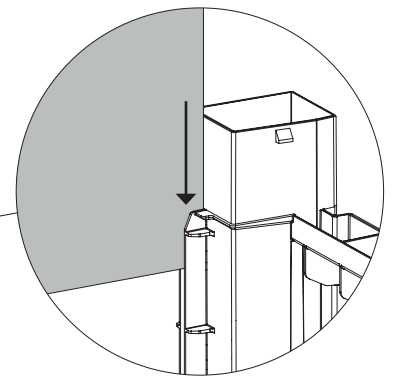
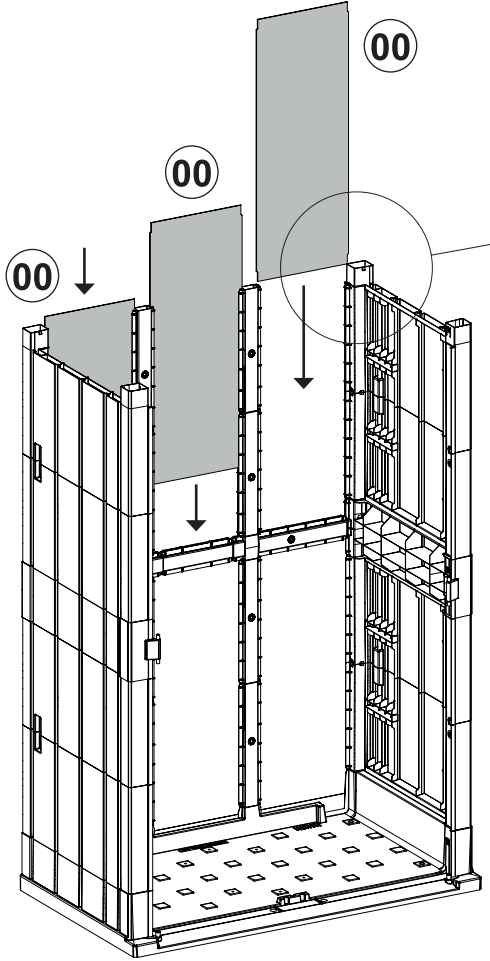
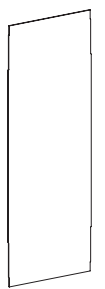
B



8

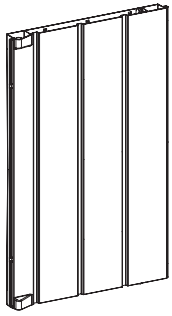
00

x3



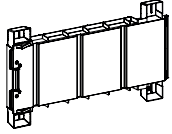
9

C



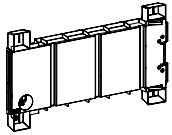
x4

D



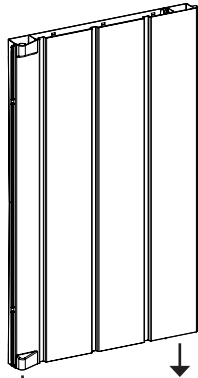
x1

E

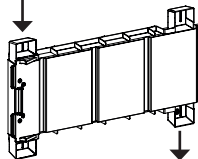


x1

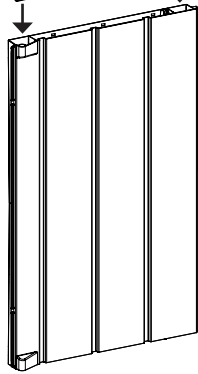
C



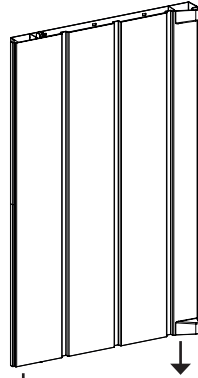
D



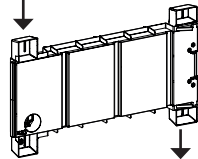
C



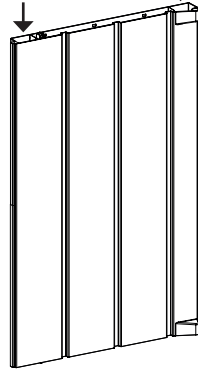
C



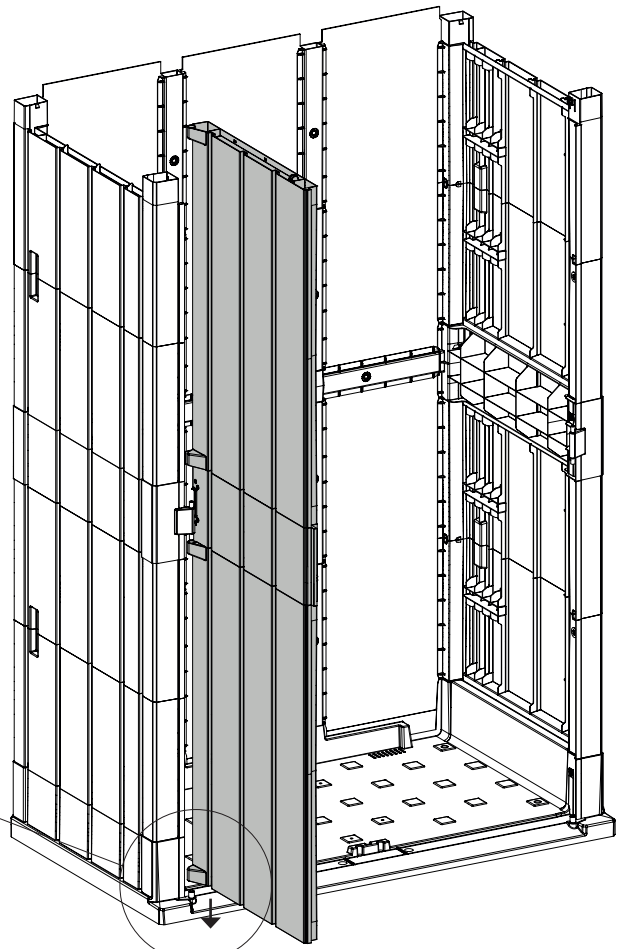
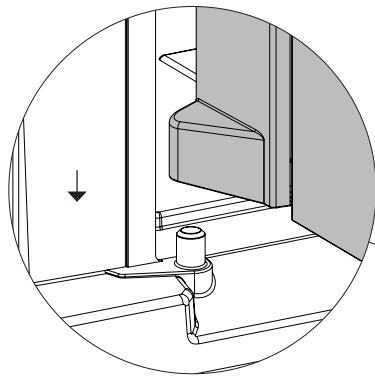
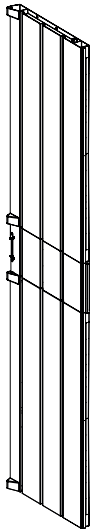
E



C

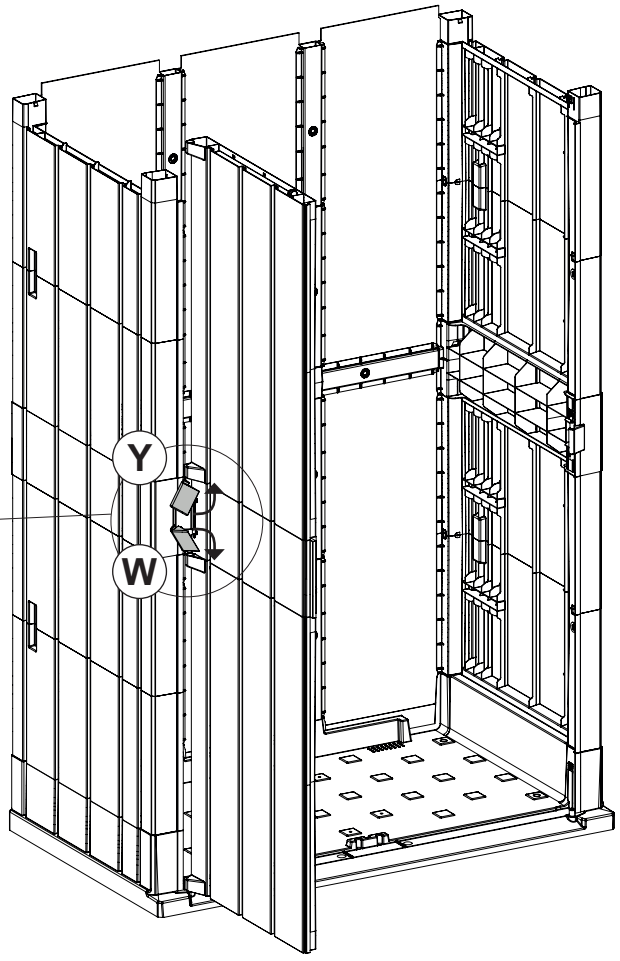
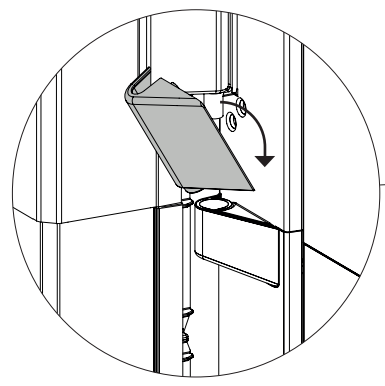
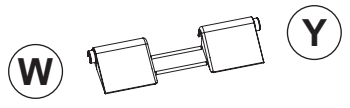


10

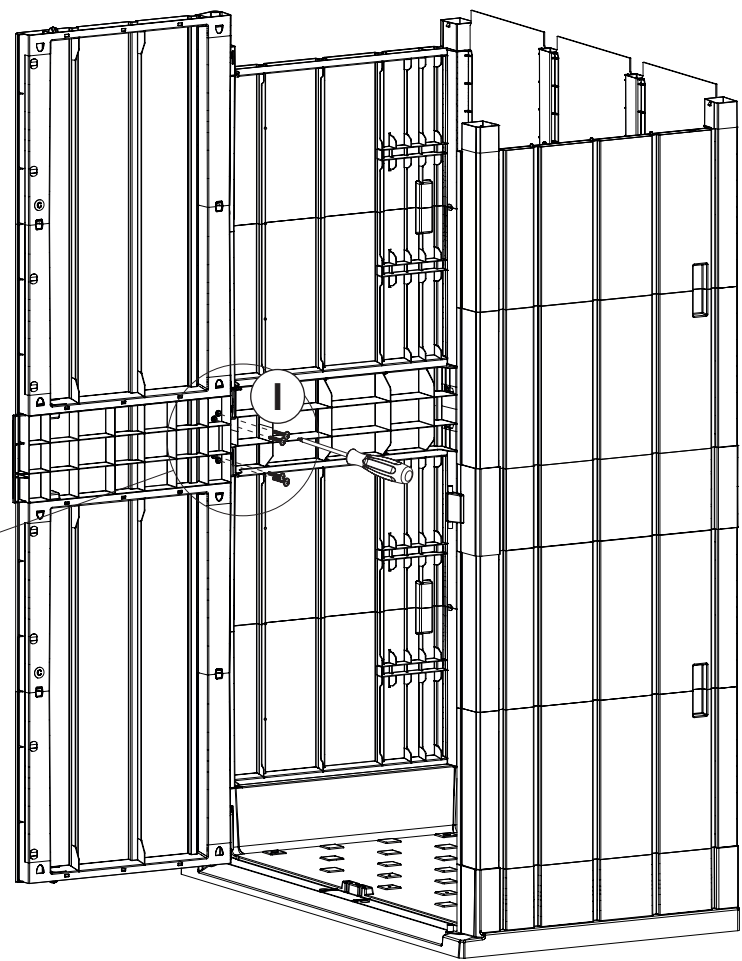
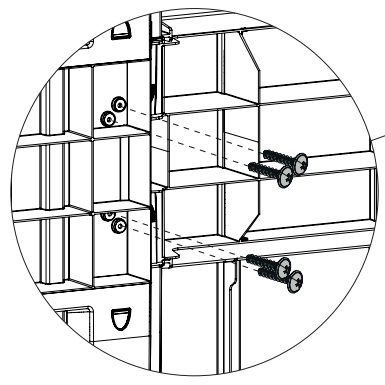
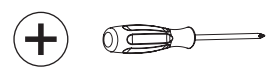
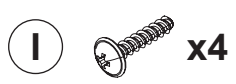




11



12

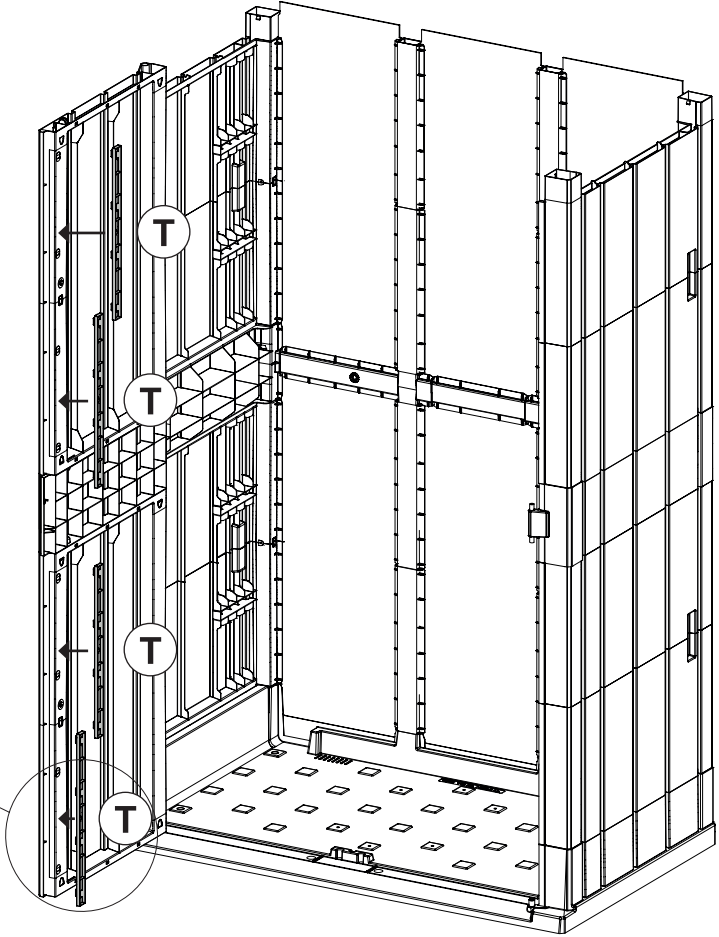
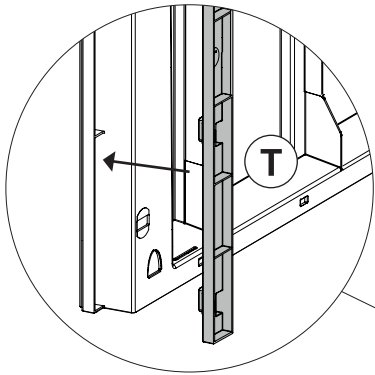


13

T

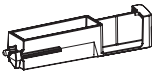


x4



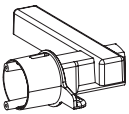
14

N

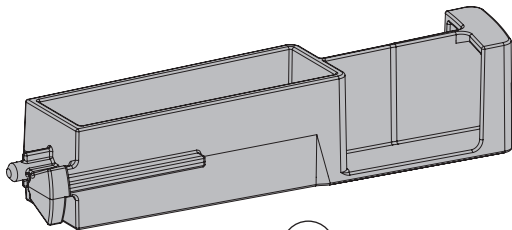


x1

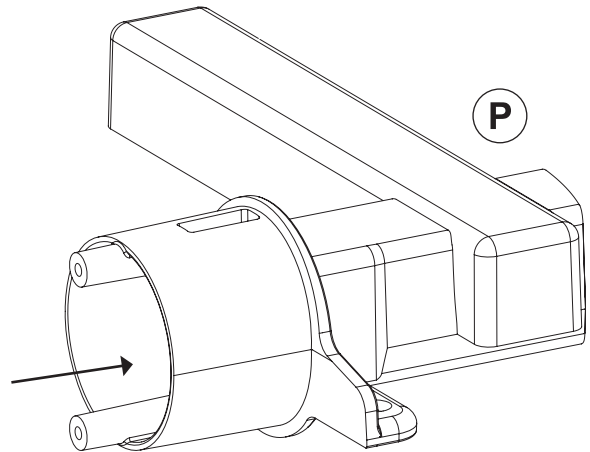
P



x1

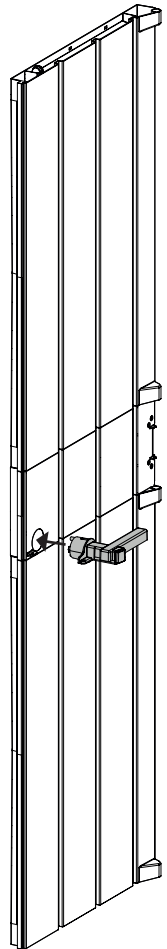
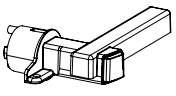


N



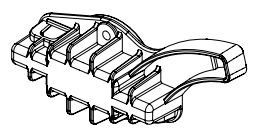
P

15



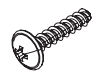
16

Q



x1

I

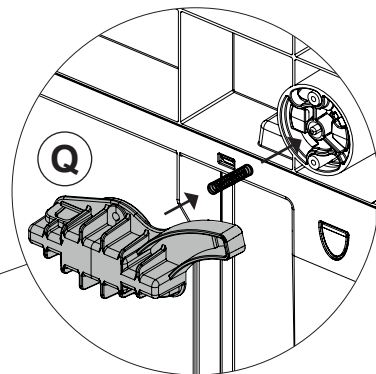
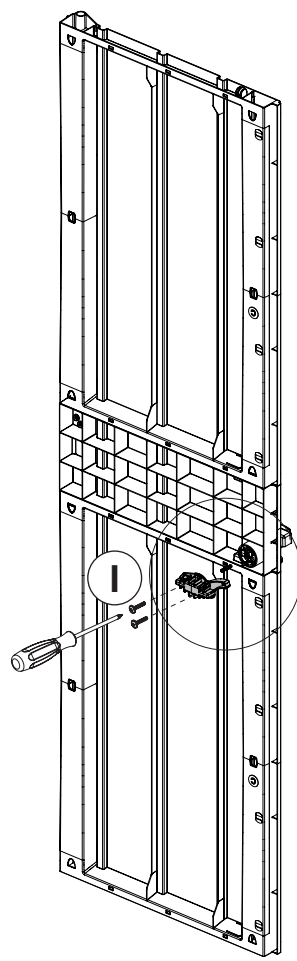
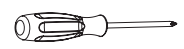


x2

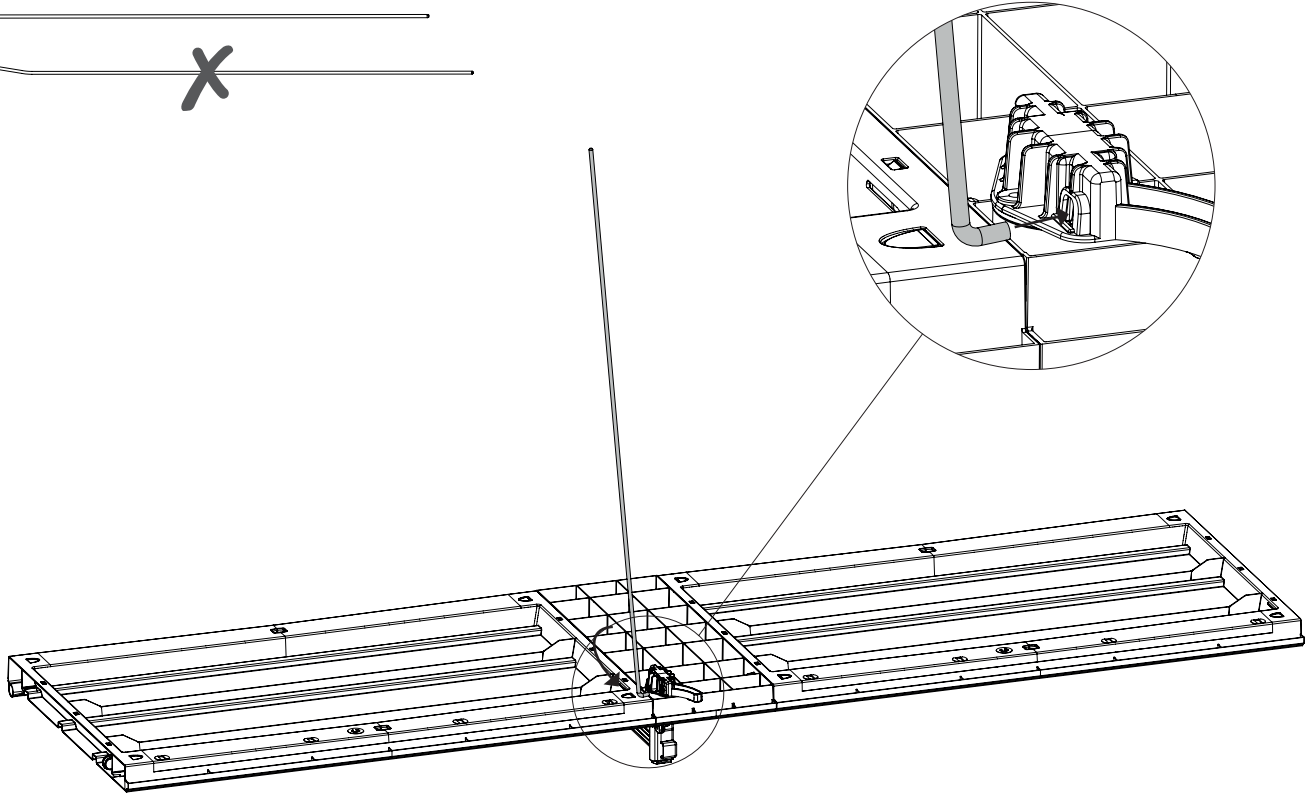


x1

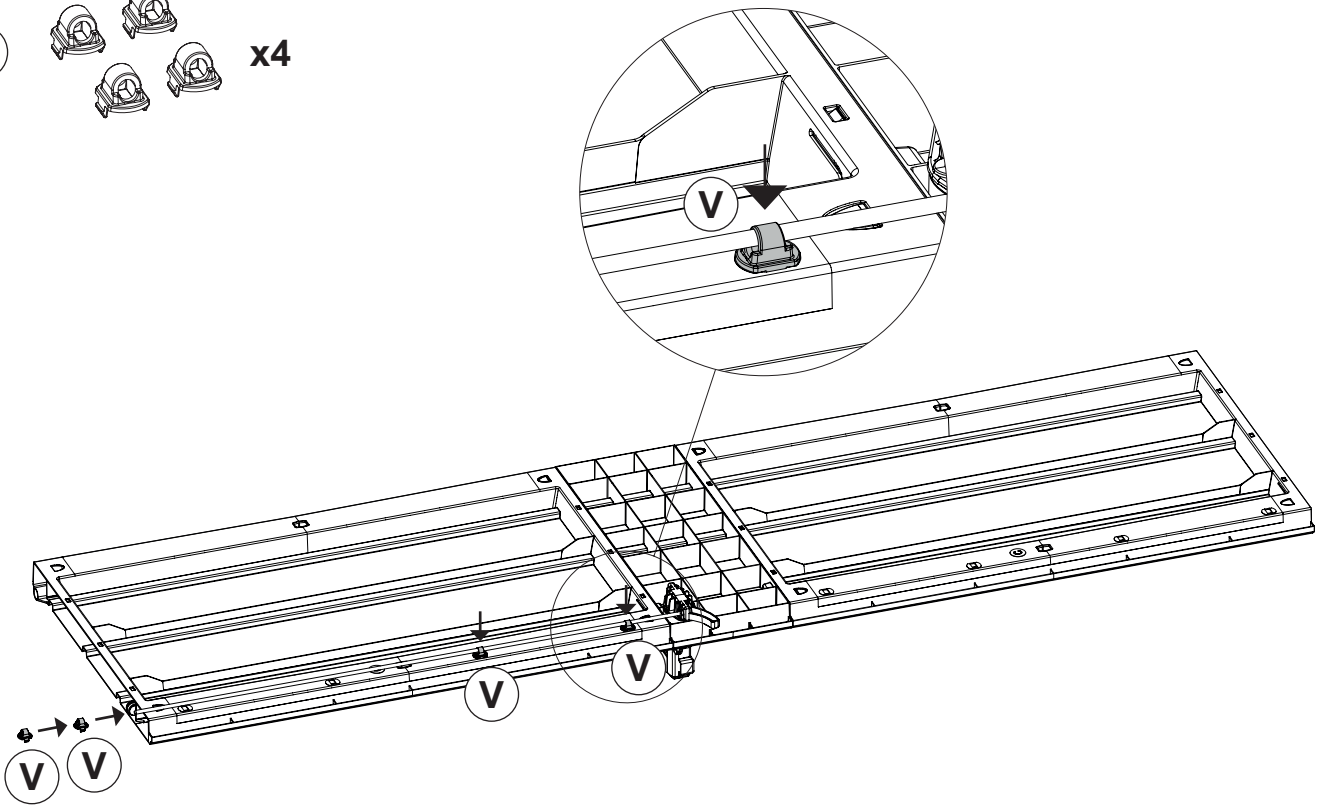
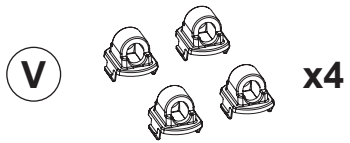
+



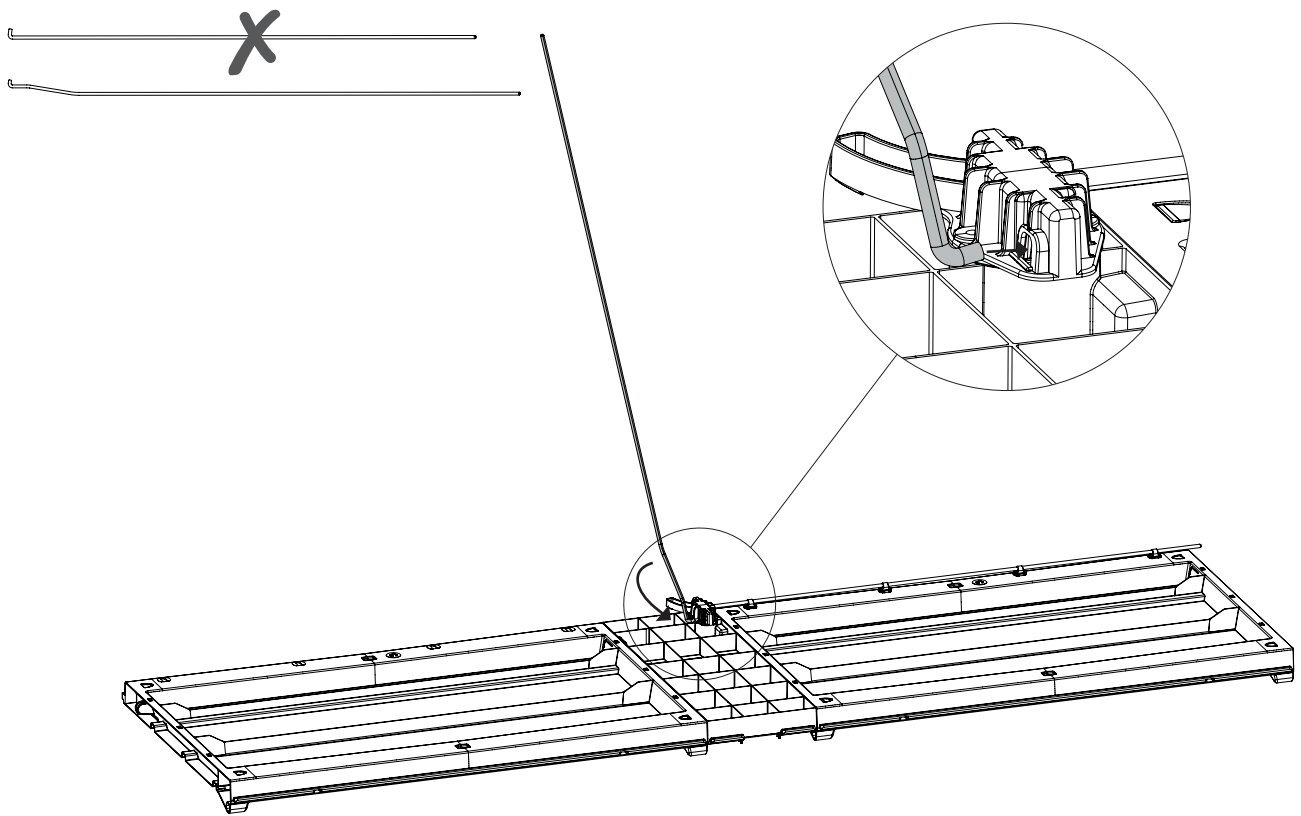
17



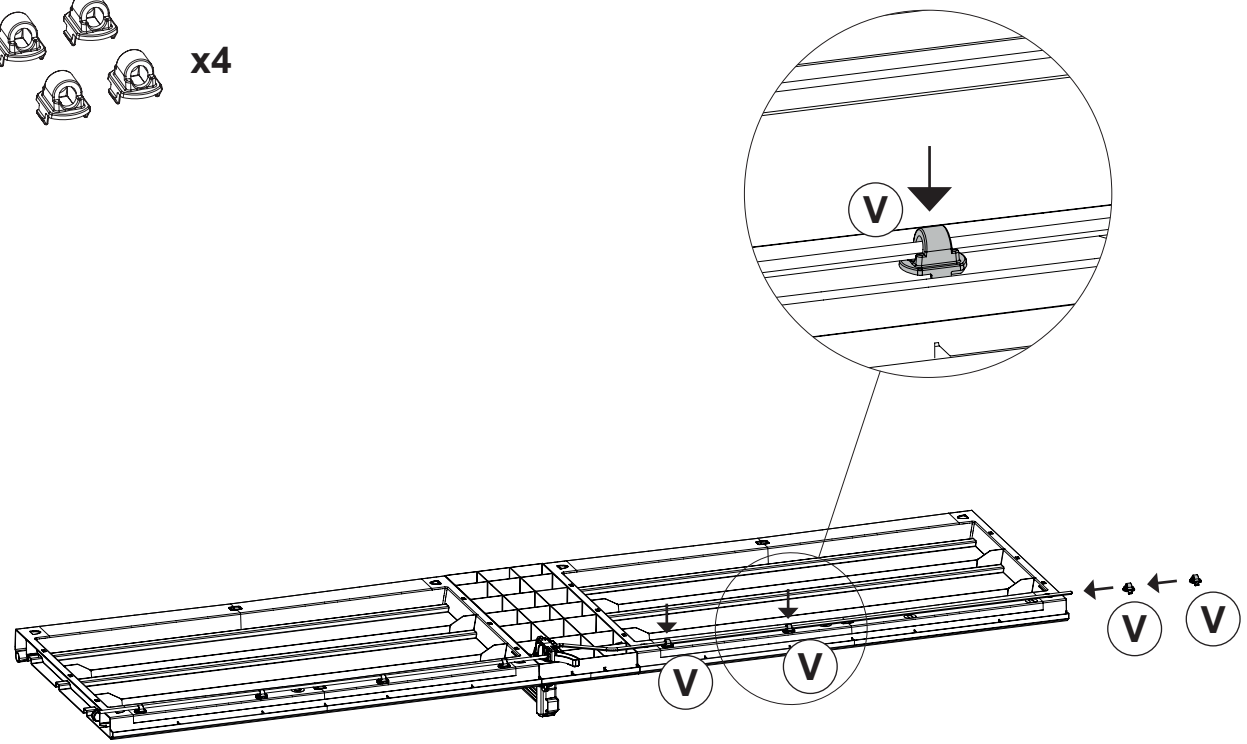
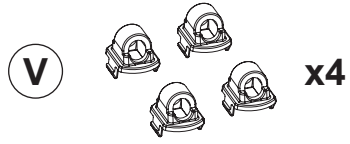
18



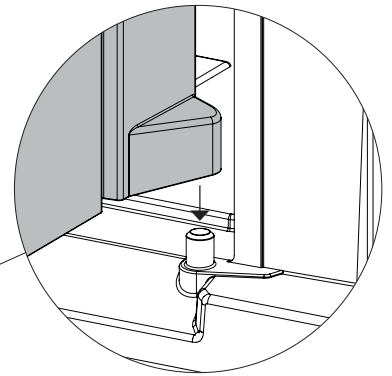
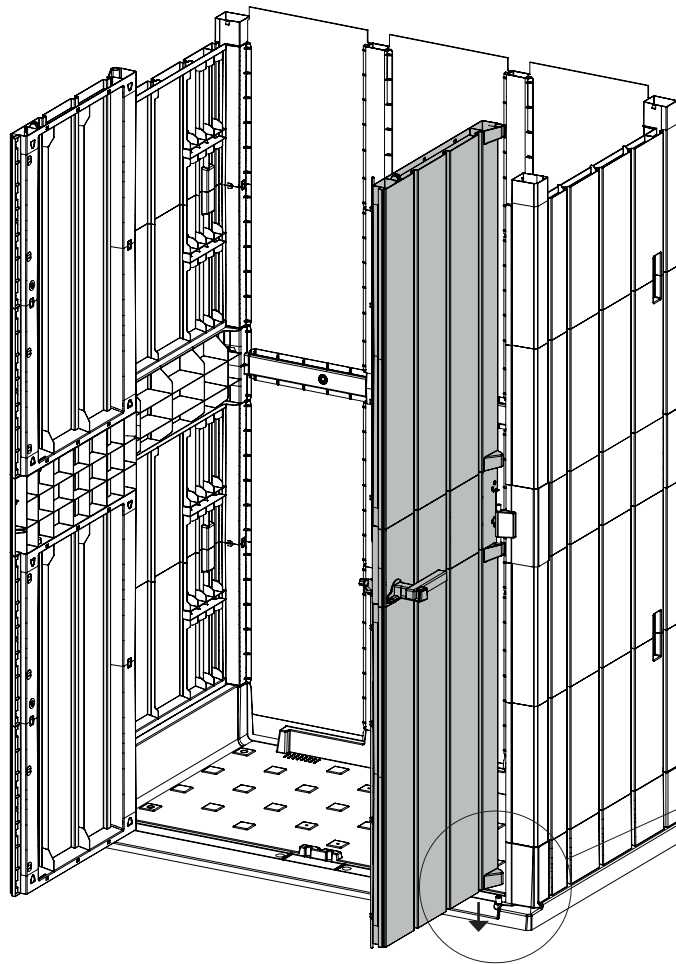
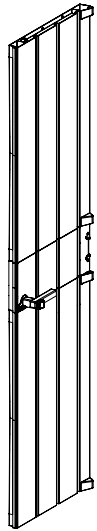
19



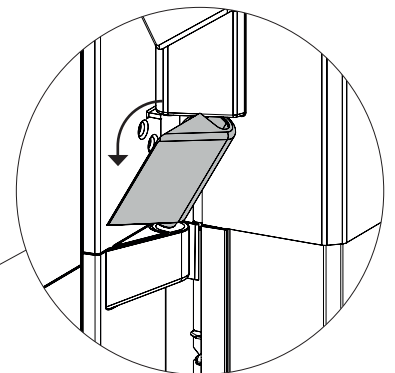
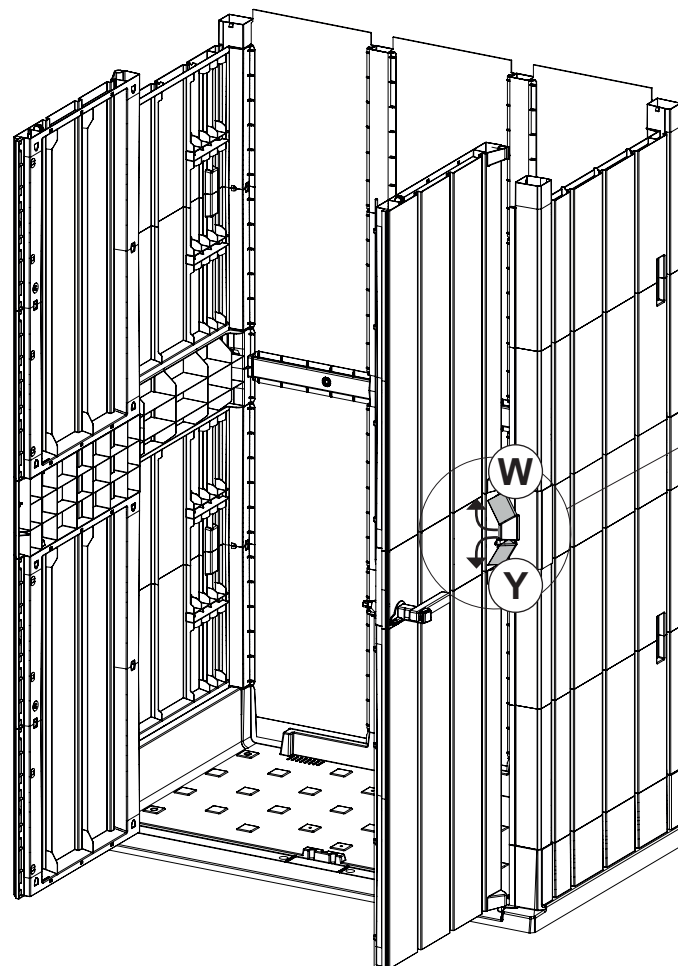
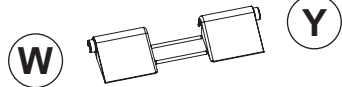
20



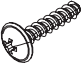
21

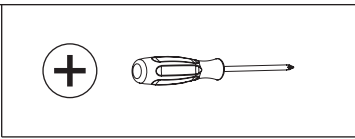
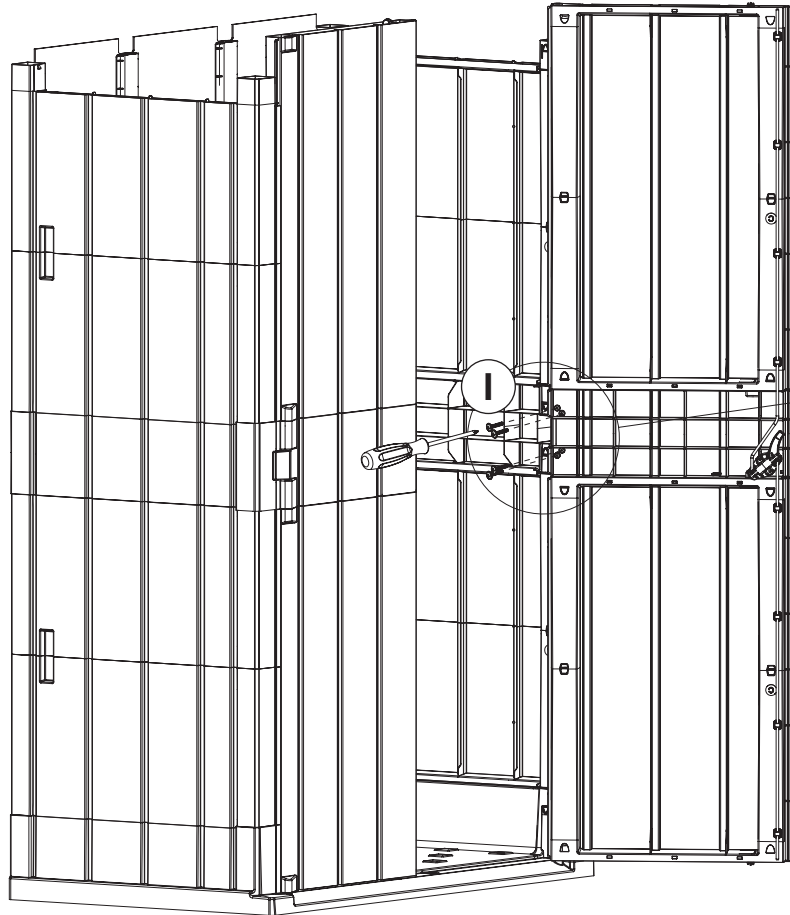


22

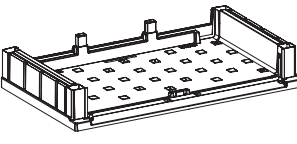


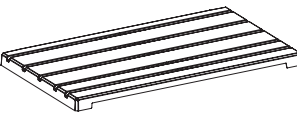
23

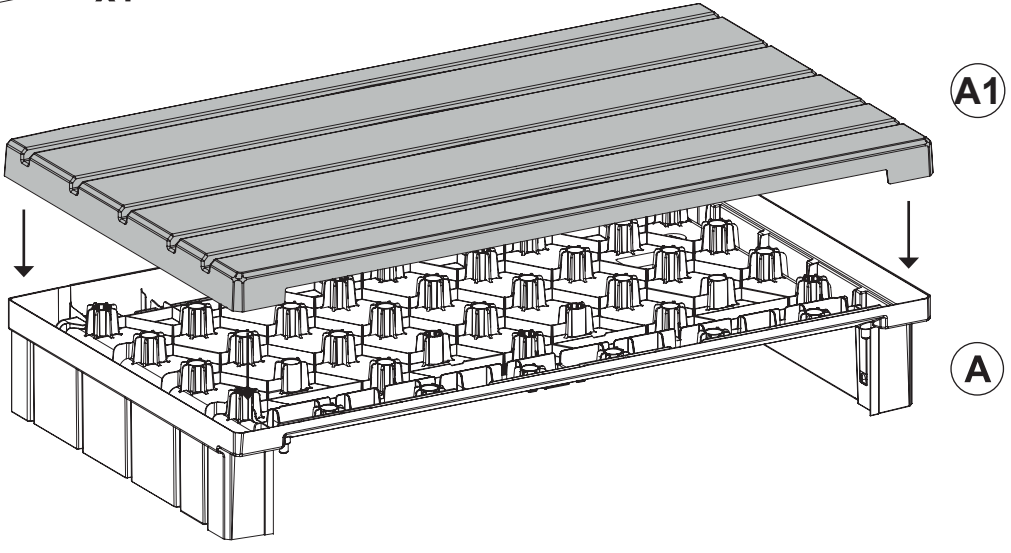
I  x4



24

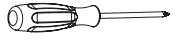
A  x1

A1  x1



25

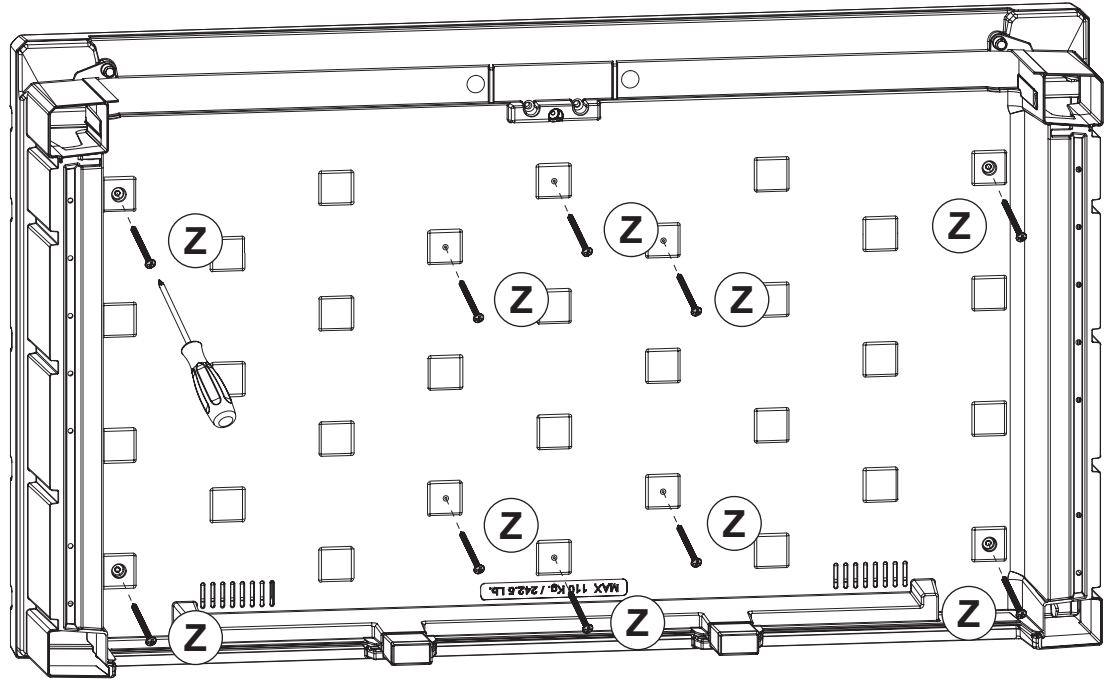
+



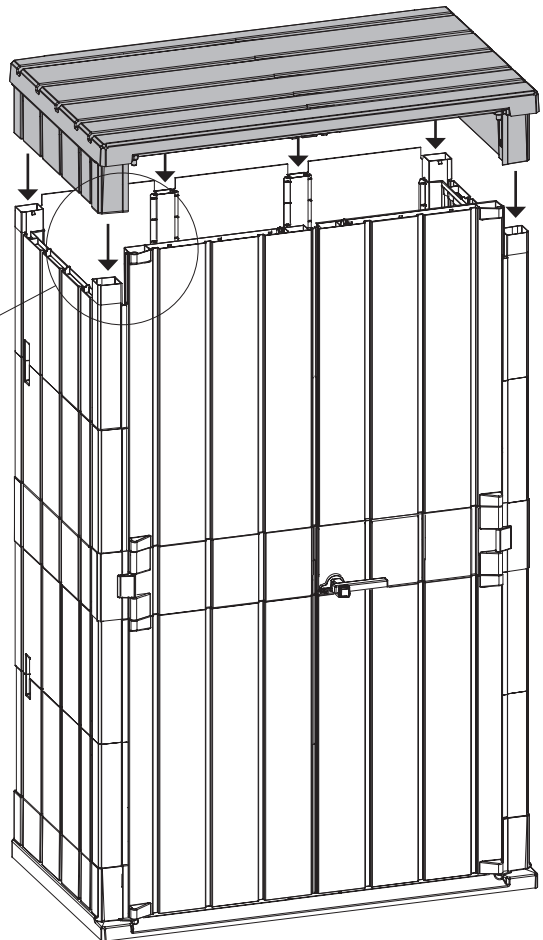
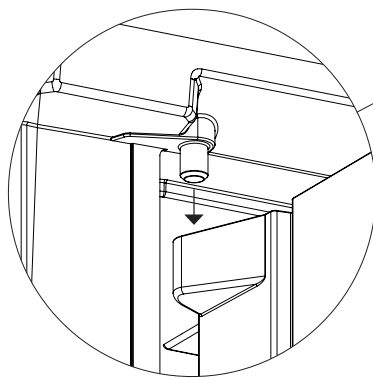
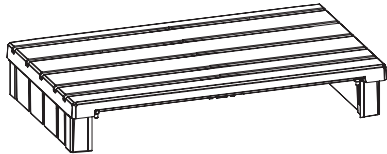
Z



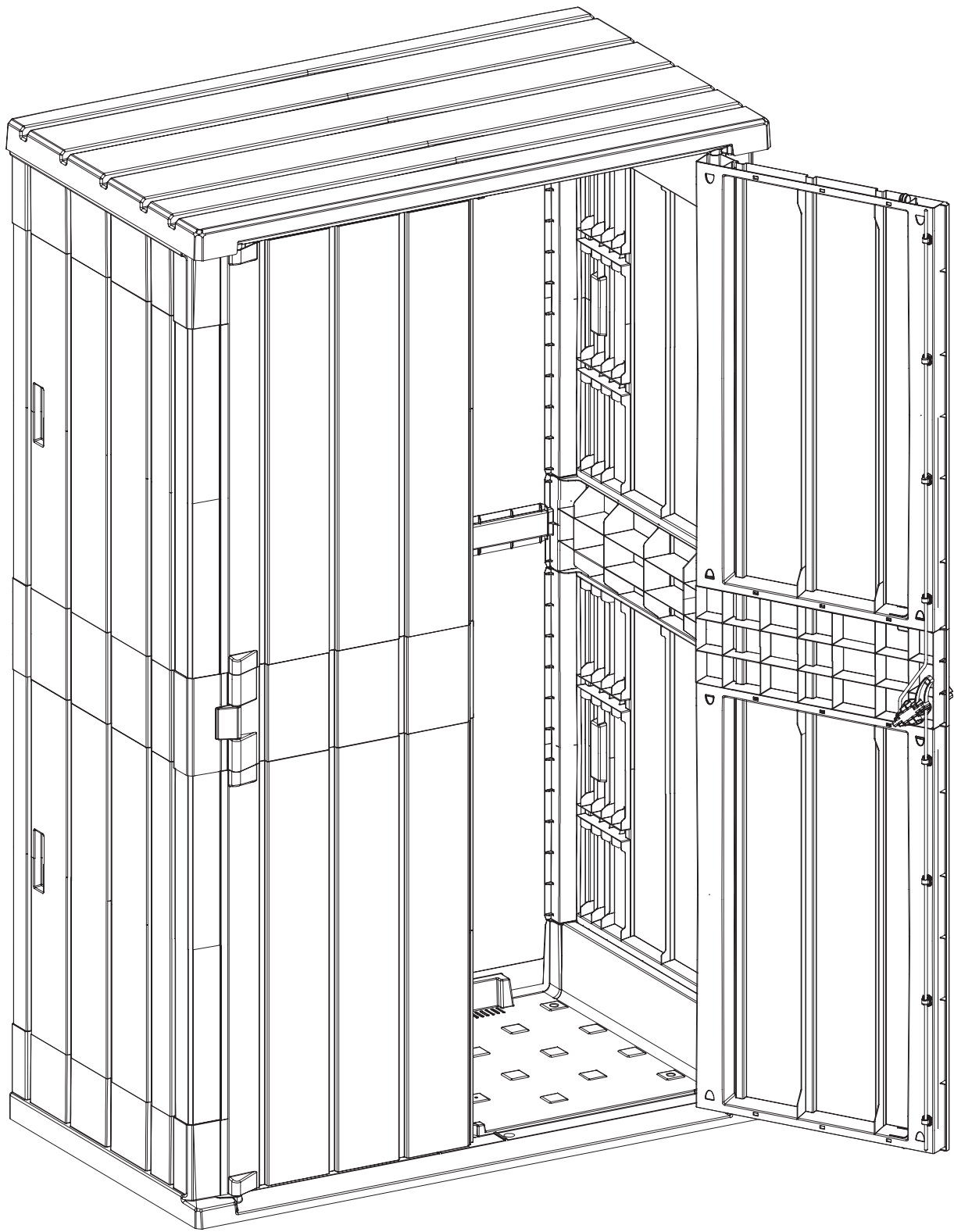
x10



26









Lined writing area with 28 horizontal lines.



**Plastmeccanica S.p.A.**

Viale del Lavoro, 3

60030 Castelfellino (An) - ITALY

Tel. +39 0731 70766 - Fax +39 0731 703796

[info@plastmeccanica.it](mailto:info@plastmeccanica.it)

4609100